

Single Band 160mm Profile Panel Antennas Installation and Operation Instructions Including F-074-S4 & T-075-S4 Mounting Kits



General

This instruction sheet contains all necessary information required to assist in the correct installation of ARGUS Single Band 160mm Profile Panel Antennas.

Following symbols can be found next to text outlining important information.



Please follow the procedure marked with this symbol precisely. Non-compliance may lead to damage of the product.



Handy tips when installing product.

Unpacking

Make sure that the antenna and the accessory items listed below have been provided and have not been damaged during transport.

- Antenna
- Mounting kit (mounting kit components are given on mounting assembly drawing supplied).
- Hex Keys (5 and 6mm AF)

Installation Instructions



1. Ensure a torque spanner is used when tightening fasteners, see table below for the correct torque specification.

Fastener size	M8
Stainless Steel Bolt Torque	17.6

2. All connectors should have a weather proofing kit fitted to prevent water ingress into cables.
3. Ensure mounting pipe diameter is within the range specified on the mounting kit assembly drawing. For high wind locations a pipe diameter between 75mm and 115mm is recommended.

Assemble mounting kit as per Figures 2 and 3 of this document

- 1. Attach the mounting kit assembly to the antenna, before trying to clamp the bracket to the pole.

Figure 1: Correctly Assembled Mounting Bracket for Fixed Downtilt Antenna

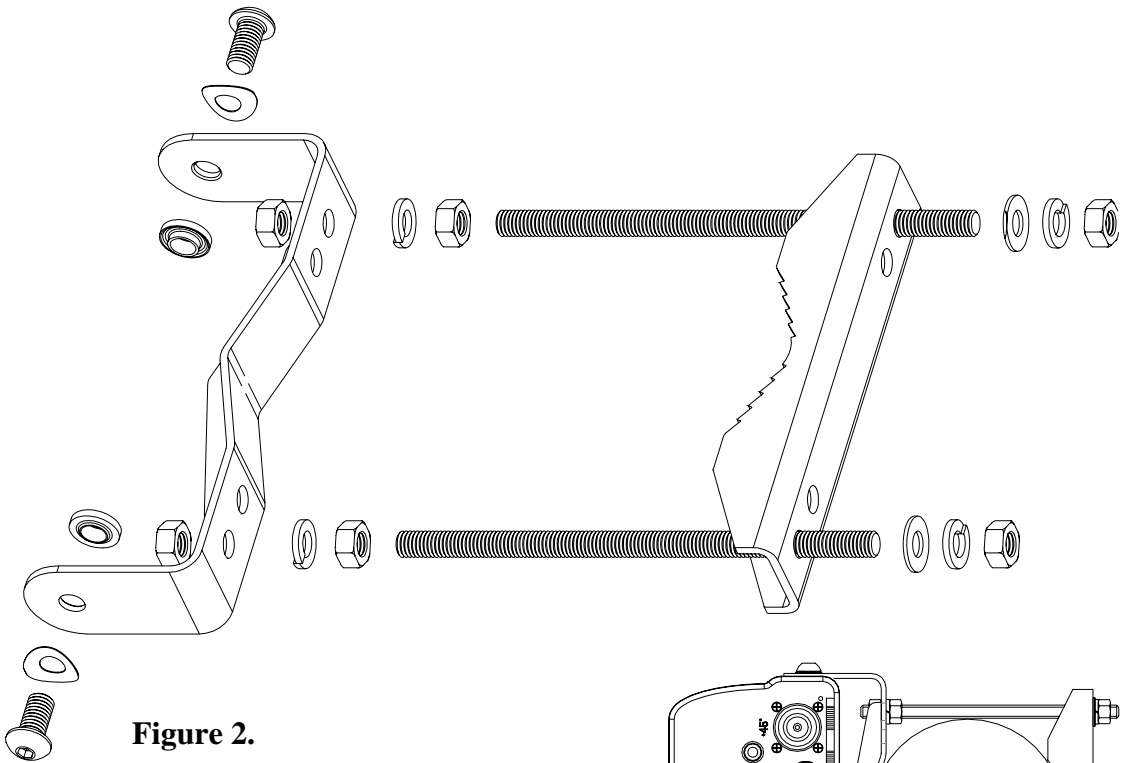


Figure 2.

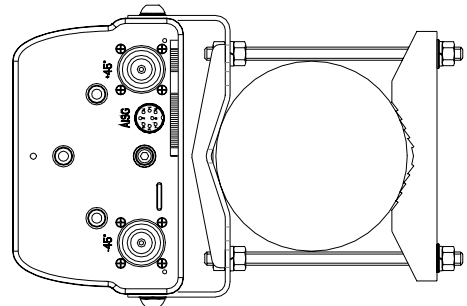


Figure 3.

Figure 2: Fixed Downtilt Mounting Bracket Exploded Assembly

Figure 3: Fixed Downtilt Mounting Bracket Assembled onto Panel Antenna



Installation Instructions - Mechanically Adjustable Downtilt Mounting Kits T-075-S4.

Assemble upper mounting bracket as per Figures 5 and 6 of this document



1. Attach the upper mounting bracket assembly to the antenna, before trying to clamp the bracket to the pole.
2. A scale of the indicated downtilt is provided on the sliding bracket.
Use scale 'A' when the difference between the mounting brackets is 725mm.
Use scale 'B' when the difference between the mounting brackets is 1200mm.
3. Accuracy of the indicated downtilt angle is dependent on vertical accuracy of the mounting pole. More accurate results can be achieved using an inclinometer on the rear of the antenna.
4. It is not recommended that this downtilt kit be used for very high wind areas if the antenna length exceeds 800mm.



Figure 4: Correctly Assembled Top Mounting Bracket for Mechanically Adjustable Downtilt Antenna

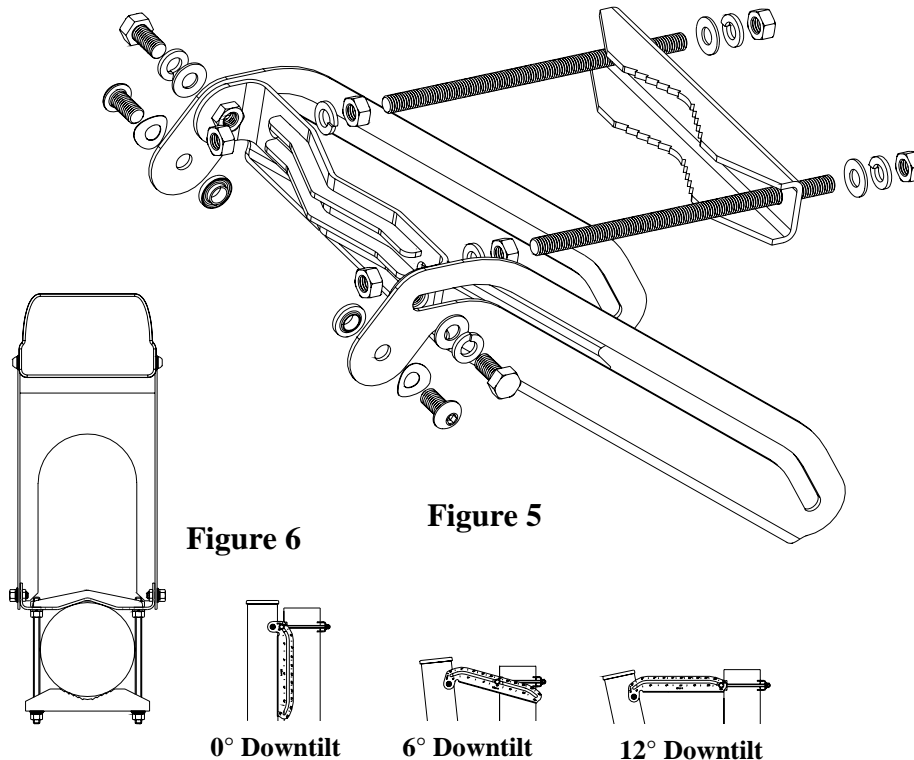


Figure 5: Upper Mounting Brackets Exploded Assembly

Figure 6: Upper Mounting Brackets Assembly Detail



Assemble lower mounting bracket as per Figures 7 and 8 of this document



1. Attach the lower mounting bracket assembly to the antenna, before trying to clamp the bracket to the pole.
2. Leave the M8 bolts secured firm, but do not tighten them until the desired downtilt of the antenna has been obtained by adjusting the upper mounting bracket. Then tighten the M8 bolts to specification.

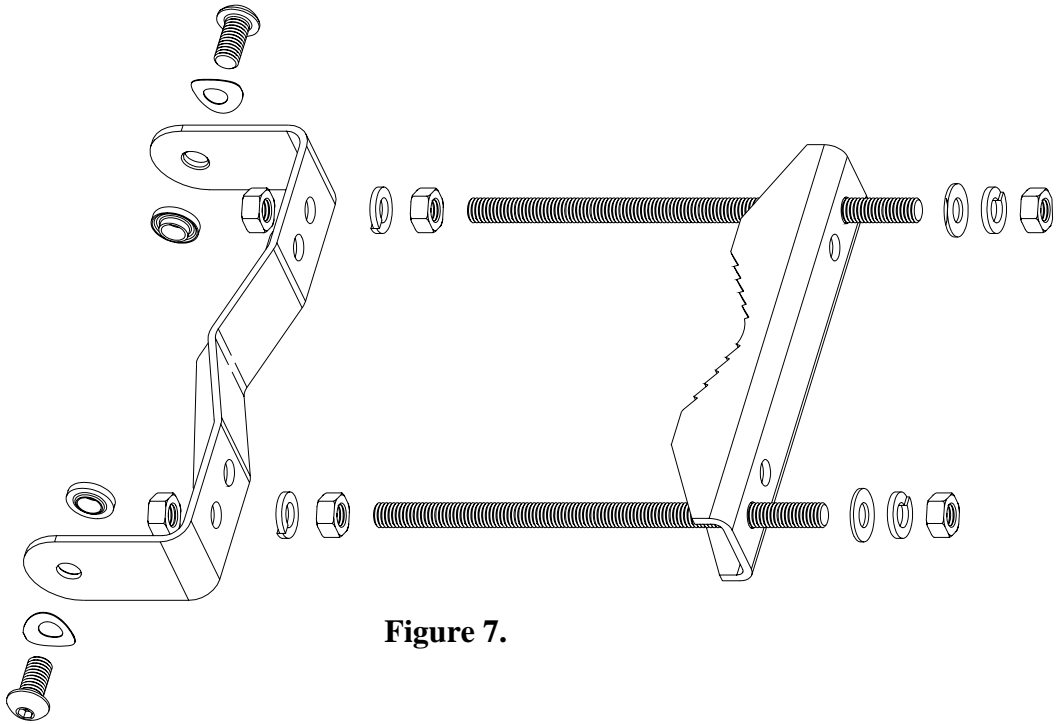


Figure 7.

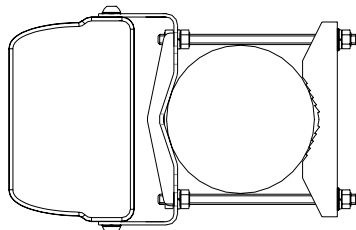


Figure 8.

Figure 7: Lower Mounting Brackets Exploded Assembly

Figure 8: Lower Mounting Brackets Assembly Detail



Operation of Antennas

Fixed Downtilt Antennas The beam downtilt is factory set.

Electrically Adjustable Downtilt Antennas The beam downtilt below the horizon is adjusted in the range of 0° to 10° by rotating the hex socket located at the bottom of the antenna (see Figure 9). Turning the hex socket in a clockwise direction increases the beam downtilt below the horizon. Turning the hex socket in an anti-clockwise direction decreases the beam downtilt below the horizon.

AISG Compliant Adjustable Downtilt Antennas - Fitted with Remote Downtilt Adjustment AISG Compliant antennas are compatible with AISG compliant control unit equipment, such as Argus' CTXD-30-H portable handheld AISG controller. For operation of antennas using AISG compliant controllers see controller documentation.



Figure 9. AISG Compliant Adjustable Downtilt Antenna showing Hex Socket for Manual Adjustment and Horizontal Angle Indicator Scale protruding past face of base.

Electrically Adjustable Downtilt Antennas – Indicator Scale The downtilt angle in degrees below the horizon is read from the angle indicator scale at the point of protrusion from the antenna base plate. As the downtilt is increased, the indicator scale protrudes further past the face, revealing further graduations of degrees.



WARNING: During downtilt adjustment ensure the hex socket is not turned past the range of 0° to 10° as shown on the downtilt indicator scale. Forcing the hex adjustment beyond this point may lead to damage of the downtilt mechanism. Using power drills and electric screwdrivers to adjust downtilt may also lead to damage of the downtilt mechanism.

